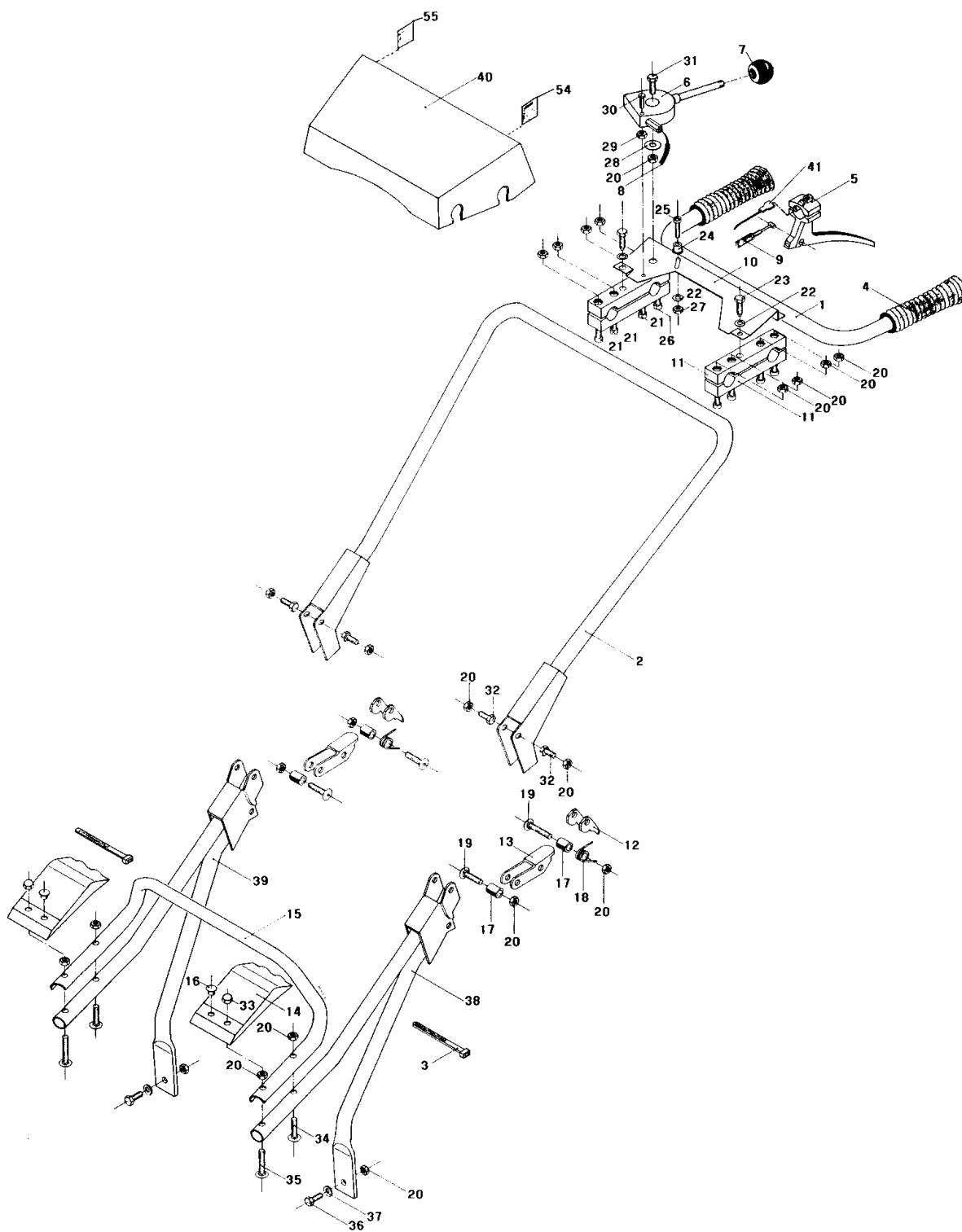


Number	Part Number	Name	Quantity
1	40289	CUTTING DECK 56CM	1,000
6	40251	HANDLEBAR BRACKET	1,000
7	40314	DEFLECTOR COMPLET	1,000
8	40047	GRIP	1,000
9	7914	SCREW	1,000
10	40256	DEFLECTOR	1,000
11	71113	NAIL RIVET, DIA. 4X	1,000
12	40071	REINFORCEMENT	1,000
13	40048	FLAP	1,000
14	40255	HINGE	1,000
15	40070	DEFLECTOR AXLE	1,000
16	40069	DEFLECTOR SPRING	1,000
17	7377	TRUARC COLLAR DIN 7	1,000
18	40330	AXLE TUBE	1,000
19	40010	SLEEVE	1,000
20	9022	BALL BEARING 6002	1,000
21	40011	AXLE	1,000
23	9033	PIN DIN 7343	1,000
24	25971	WRENCH 17	1,000
25	21678	CHAIN	1,000
26	40013	CHAIN	1,000
27	5060	CHAIN	1,000
28	40079	BRACKET	1,000
29	40067	ADJUSTEMENT PLATE	1,000
30	24686	SPRING	1,000
31	5203	RETURN SPRING	1,000
32	5041	BOLT 8X30	1,000
33	5347	SCREW 8X25	1,000
34	71205	SCREW M8	1,000
35	71118	SCREW 8X35	1,000
36	7335	WASHER	1,000
37	40260	REAR COVER	1,000
38	40016	LOCK	1,000
39	71201	NUT M6	1,000
40	21608	SCREW 6X16 DIN	1,000
41	40022	BELT COVER	1,000
42	6187	SCREW	1,000
43	21442	CLIPS	1,000
44	40059	BELT	1,000
45	9057	SQUARE BOLT,DIN 603	1,000
46	9071	SCREW M8X20	1,000

Number	Part Number	Name	Quantity
47	21513	BOLT M8X50	1,000
48	40065	BRACE	1,000
49	40063	TENSIONNER SPRING	1,000
50	40014	TENSIONER LEVER	1,000
51	40068	BRACE	1,000
52	2020	NUT HM8	1,000
53	40258	LEFT SIDE COVER	1,000
54	40078	BRACE	1,000
55	40064	9 TOOTH GEAR	1,000
56	20507	BOLT HM 6X20	1,000
57	40259	RIGHT SIDE COVER	1,000
58	22031	SCREW 8X55	1,000
59	9056	BOLT 8X25	1,000
60	21114	BOLT 8X40	1,000
61	9061	BOLT 8X30	1,000
62	7035	FLAT WASHER	1,000
63	21256	CIRCLIP	1,000
64	24659	GROOVE PULLEY	1,000
65	40031	RING	1,000
66	40030	PULLEY SUPPORT	1,000
67	2047	FREE WHEEL	1,000
68	9024	BRACE	1,000
69	71445	SCREW J M10-75	1,000
70	40085	WASHER	1,000
71	40082	BRACE	1,000
72	2048	KEY	1,000
73	40081	DRIVING SHAFT	1,000
74	40066	GEAR HOUSING	1,000
76	9026	TYRE D. 220	1,000
77	9017	NUT HM10	1,000
79	7038	SCREW, DIN933 H M 8X	1,000
80	40306	WHEEL CARRIER F. R.	1,000
81	40305	WHEEL CARRIER F. L	1,000
82	71010	CIRCLIPS	1,000
83	40007	FIXED PLATE	1,000
84	40303	WHEEL CARRIER R.L	1,000
85	40304	WHEEL CARRIER R. R	1,000
86	9062	RING	1,000
87	40267	FLANGE BLACK	1,000
88	5388	CHAIN QUICK CONNECT	1,000
89	40301	FRONT WHEEL	1,000

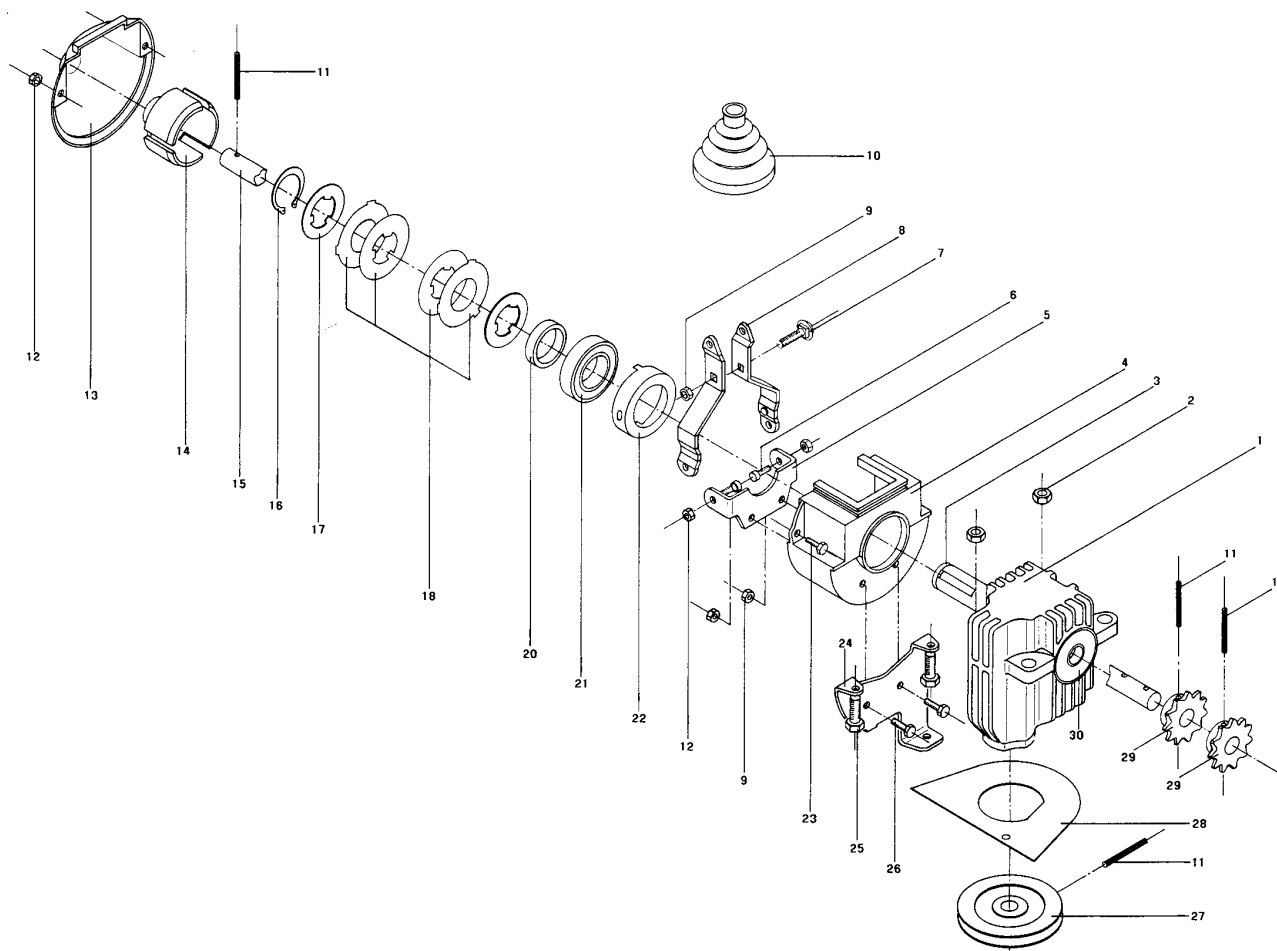
Number	Part Number	Name	Quantity
90	40300	REAR WHEEL	1,000
91	12048	STICKER 26*4	1,000
92	12711	12711	1,000
93	40107	REARWHEEL TIRE	1,000
94	9032	10 TOOTH GEAR	1,000
95	40479	DOUBLE PIGNON 10 T.	1,000
96	40476	DOUBLE 11T. GEAR	1,000
97	12727	12727	1,000
100	42042	FRONT BUMPER	1,000
101	42059	BUMPER PLATE	1,000
102	42043	BUSH 15X8,5X10	1,000
103	40291	FENDER KIT RT56	1,000



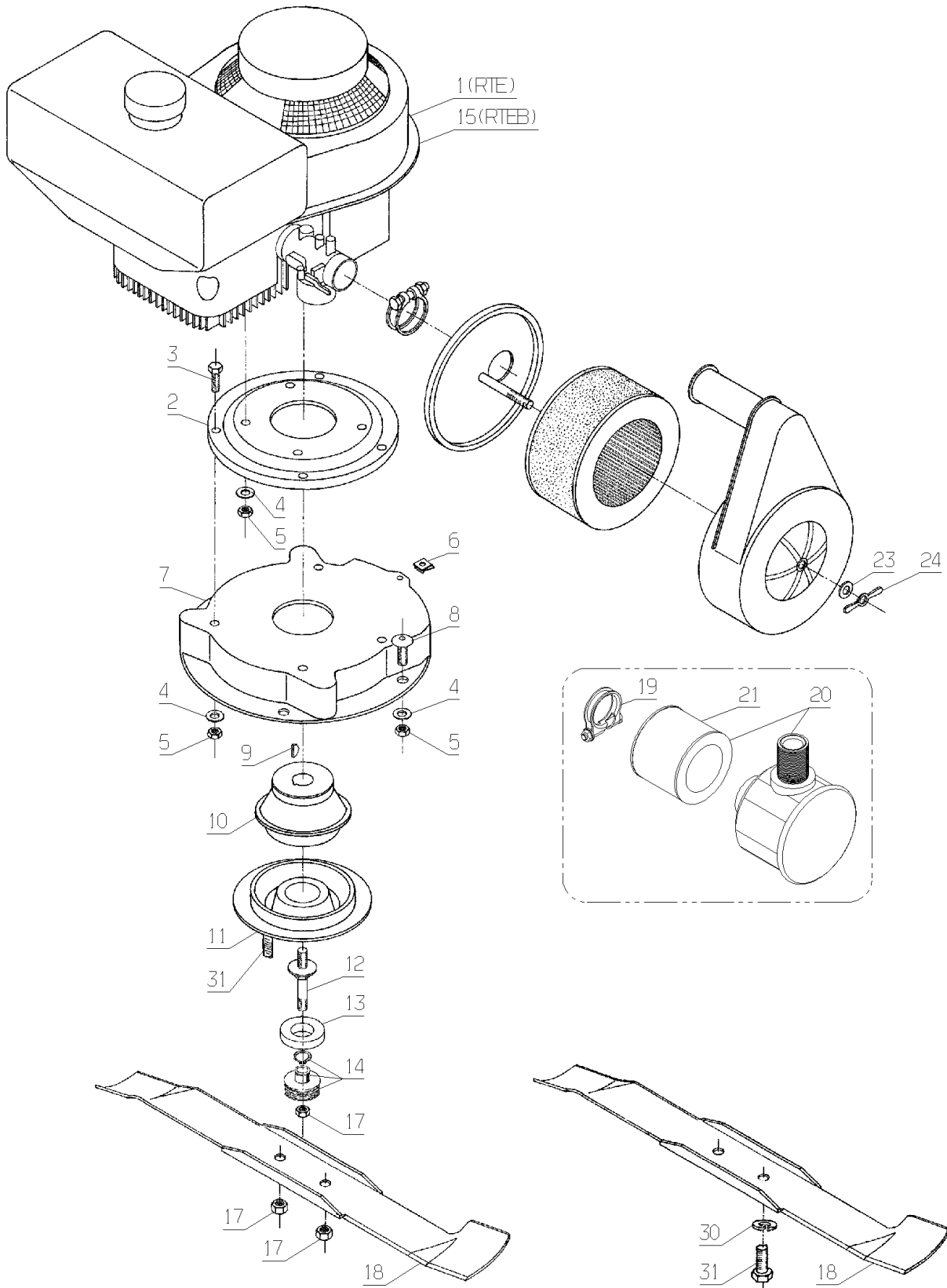
Number	Part Number	Name	Quantity
1	40262	UPPER HANDLEBAR	1,000
2	40324	INTERMEDIATE HANDLE	1,000
3	21119	COLLAR 260 MM	1,000
4	5356	HANDLEBAR GRIP	1,000
5	21156	TRACTION LEVER	1,000
6	5468	SPEED CONTROL	1,000
7	21177	BALL M8	1,000
8	40036	SPEED CONTROL CABLE	1,000
9	40035	CLUTCH CABLE+SHEATH	1,000
10	5946	SUPPORT PLATE	1,000
11	21113	HANDLEBAR LOCK	1,000
12	40080	LOCKING CAM	1,000
13	40039	LOCKING BODY	1,000
14	40257	CHAIN COVER	1,000
15	40044	DECK CROSS BEAM	1,000
16	40015	PLUG	1,000
17	40083	TUBE	1,000
18	40084	SPRING	1,000
19	9057	SQUARE BOLT,DIN 603	1,000
20	71205	SCREW M8	1,000
21	21116	BOLT M 8 X 40	1,000
22	2235	WASHER A6.4	1,000
23	5498	TAPTITE BOLT M6X16	1,000
24	23033	GUIDE RING	1,000
25	1340	BOLT M6X20	1,000
26	5490	BOLT M8X50	1,000
27	71201	NUT M6	1,000
28	5444	WASHER	1,000
29	21525	NUT HM4	1,000
30	5486	BOLT HM 4X30	1,000
31	9061	BOLT 8X30	1,000
32	40102	PIVOT	1,000
33	5043	NUT	1,000
34	20520	BOLT 8X45	1,000
35	21513	BOLT M8X50	1,000
36	9071	SCREW M8X20	1,000
37	7335	WASHER	1,000
38	40319	HANDLEBAR LEFT	1,000
39	40318	HANDLEBAR RIGHT	1,000
40	40037	COVER	1,000
41	40156	EARTH CABLE	1,000



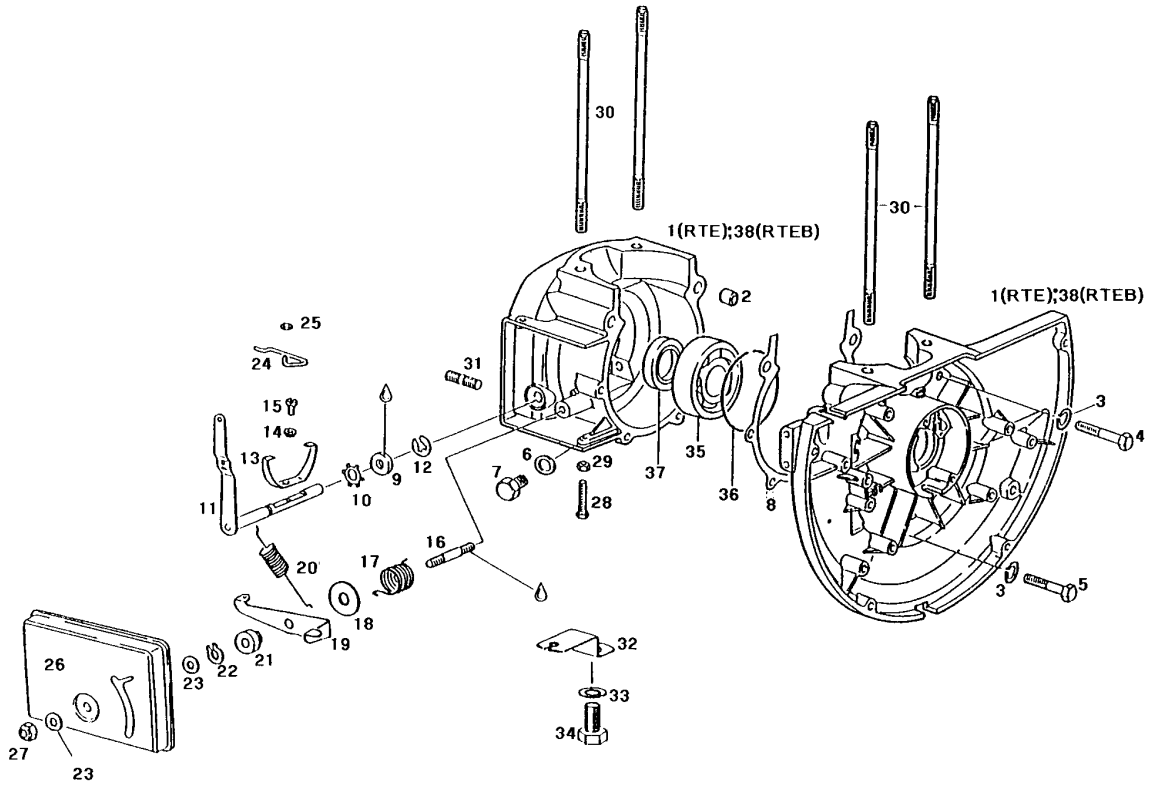
Number	Part Number	Name	Quantity
54	12047	STICKER ETESIA	1,000
55	12098	12098	1,000



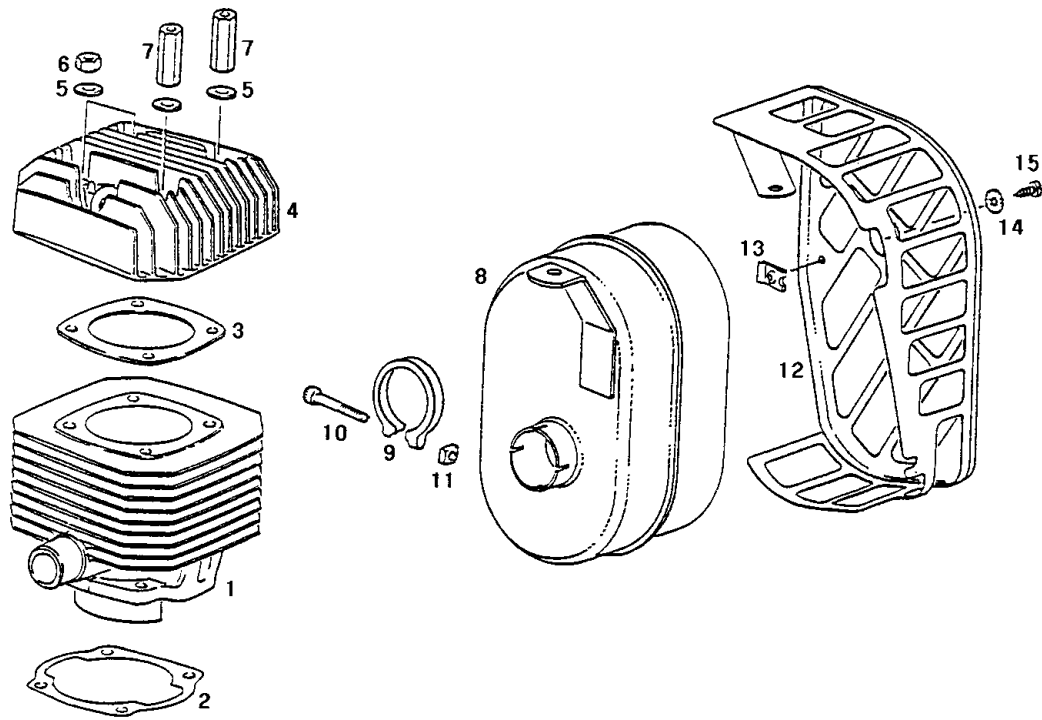
Number	Part Number	Name	Quantity
1	9974	STANDARD REDUCTION	1,000
2	71205	SCREW M8	1,000
3	40108	RING C15 19X16BP25	1,000
4	40273	VARNISHED CLUTCH HO	1,000
5	40020	CLUTCH LEVER	1,000
6	5464	BOLT M5X10	1,000
7	21608	SCREW 6X16 DIN	1,000
8	40350	WELDED CLUTCH LEVER	1,000
9	71201	NUT M6	1,000
10	40029	PROTECTION BELLOWS	1,000
11	9033	PIN DIN 7343	1,000
12	37561	NUT	1,000
13	40274	VARNISHED HOUSING	1,000
14	40026	DRIVE HOUSING	1,000
15	40027	REDUCTION GEAR OUTP	1,000
16	9201	CIRCLIP	1,000
17	9203	THRUSTDISK	1,000
18	40298	SET OF CLUTCH DISKS	1,000
20	40025	CLUTCH RING	1,000
21	5454	THRUST BEARING 6006	1,000
22	40024	BEARING CAGE	1,000
23	2009	BOLT M5X16	1,000
24	40003	REDUCTION GEAR HOUS	1,000
25	9056	BOLT 8X25	1,000
26	20507	BOLT HM 6X20	1,000
27	40017	REDUCTION GEAR PULL	1,000
28	40253	FIXED BELT COVER	1,000
29	9032	10 TOOTH GEAR	1,000
30	9022	BALL BEARING 6002	1,000



Number	Part Number	Name	Quantity
1	40095	ROTAX ENGINE 232	1,000
2	21032	ENGINE FLANGE	1,000
3	9061	BOLT 8X30	1,000
4	7335	WASHER	1,000
5	71205	SCREW M8	1,000
6	21436	CLIPS NUT	1,000
7	40272	ENGINE BEARER	1,000
8	5041	BOLT 8X30	1,000
9	7337	KEY	1,000
10	40008	DRIVING CONE	1,000
11	9103	CONICAL COUPLING	1,000
12	40334	THREADED AXLE	1,000
13	9015	THRUST BALL BEARING	1,000
14	9101	BUSHING + WASHERS	1,000
15	40098	ROTAX ENGINE+ALTERN	1,000
17	9017	NUT HM10	1,000
18	RZA56	BLADE FOR RTE	1,000
19	40214	FIXING COLLAR	1,000
20	40215	AIR CLEANER	1,000
21	40216	FILTER CARTRIDGE	1,000
23	2235	WASHER A6.4	1,000
24	1504	WING NUT	1,000
30	71052	SPRING WASHER,DIN 1	1,000

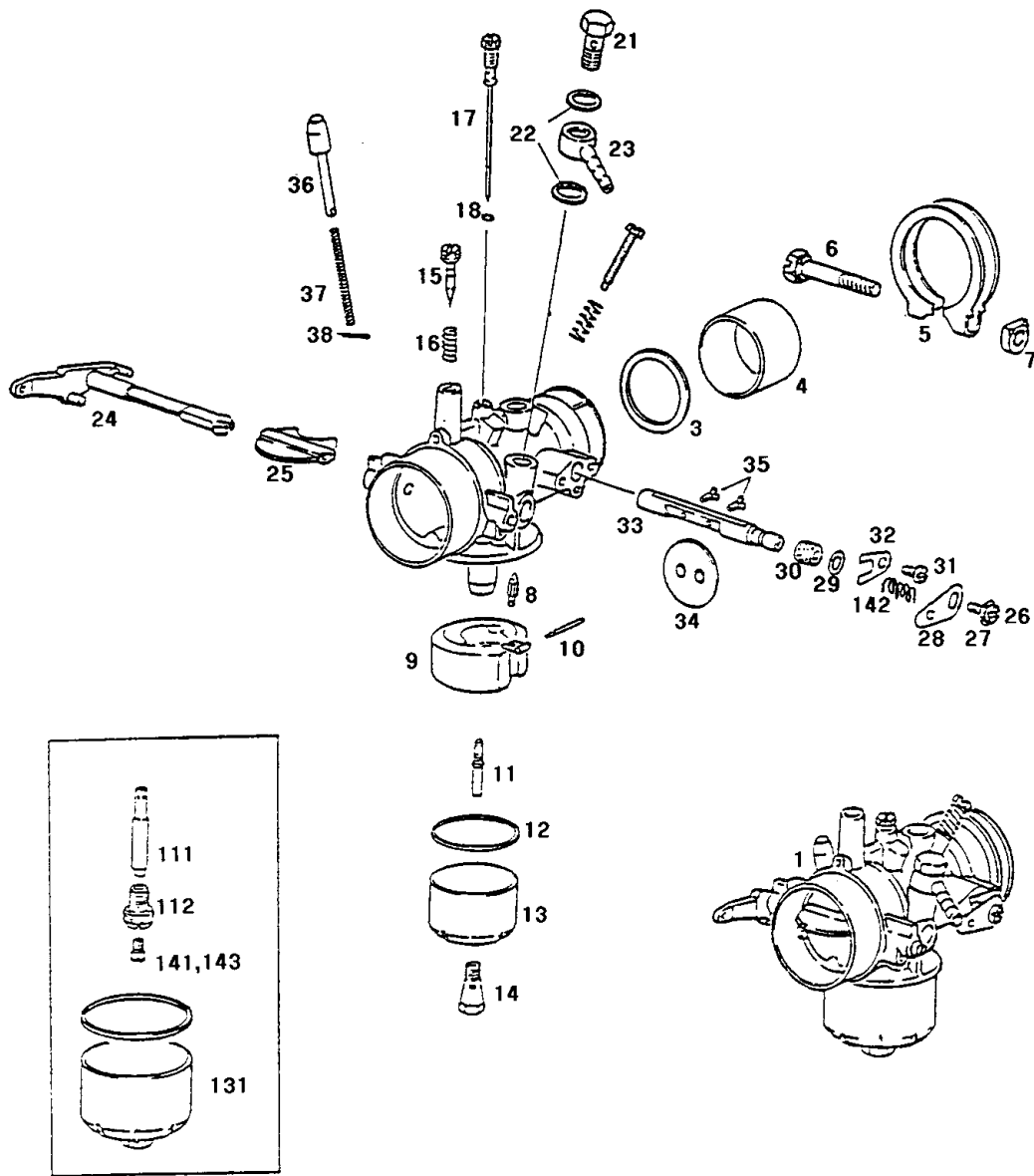


Number	Part Number	Name	Quantity
1	9600	ENGINE CASING	1,000
2	9601	SPACER 9,8X10	1,000
3	9602	SPRING WASHER	1,000
4	9603	BOLT M6X40	1,000
5	9604	BOLT M6X35	1,000
6	9736	WASHER A8X13	1,000
7	9737	BOLT M8X9	1,000
8	9605	CASING GASKET	1,000
9	9608	GASKET	1,000
10	9609	RING	1,000
11	9611	REG.AXLE CPLT	1,000
12	9607	CIRCLIP	1,000
13	9613	PRESSURE LEVER	1,000
14	9612	SOCKET	1,000
15	9738	BOLT M4X10	1,000
16	9739	STUD M6X25/12	1,000
17	9614	TENSION SPRING	1,000
18	9615	WASHER	1,000
19	9616	SETTING LEVER	1,000
20	9617	REG. SPRING 2900	1,000
21	9618	SLEEVE	1,000
22	9619	CIRCLIP	1,000
23	9620	WASHER	1,000
24	9622	REG.ROD	1,000
25	9623	WASHER	1,000
26	9621	REGUL. COVER	1,000
27	71201	NUT M6	1,000
28	4788	BOLT M5X25	1,000
29	71200	SCREW M5	1,000
30	9606	PIN M8X158,5	1,000
31	4710	DOUBLE END STUD	1,000
32	9624	SLEEVING STOP	1,000
33	71052	SPRING WASHER,DIN 1	1,000
34	9740	BOLT M10X20	1,000
35	9635	BALL BEARING	1,000
36	9636	CABLE RING	1,000
37	9637	SEAL	1,000
38	9765	ENGINE CRANKCASE	1,000

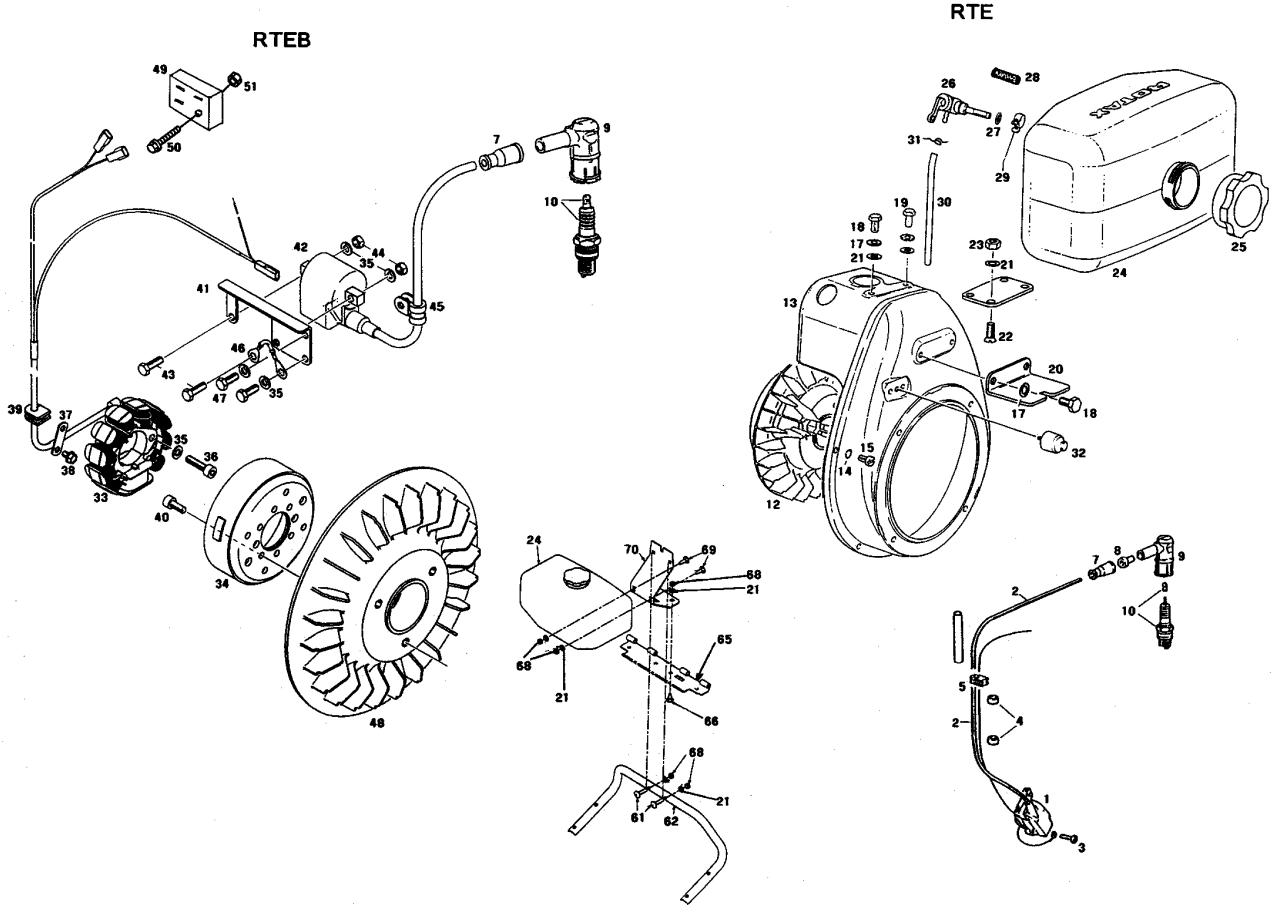


Number	Part Number	Name	Quantity
1	9655	WORKING CYLINDER	1,000
2	9656	CYLINDER GASKET	1,000
3	9657	CYL. HEAD GASKET	1,000
4	9658	CYLINDER HEAD	1,000
5	7335	WASHER	1,000
6	2020	NUT HM8	1,000
7	9659	NUT M8X37	1,000
8	9734	MUFFLER	1,000
9	9661	RING CPLT	1,000
10	9662	BOLT M 7X40	1,000
11	9663	NUT M7	1,000
12	9735	PROTECTOR	1,000
13	21436	CLIPS NUT	1,000
14	71049	SPRING WASHER,DIN 1	1,000
15	21437	SCREW	1,000

Number	Part Number	Name	Quantity
1	9758	CRANKSHAFT ASSEMB.	1,000
2	9631	WASHER 1,0MM	1,000
3	9632	WASHER 0,2MM	1,000
4	9635	BALL BEARING	1,000
6	9637	SEAL	1,000
7	9638	SPRING WASHER	1,000
8	9639	NUT M16X1,5	1,000
9	7337	KEY	1,000
10	9641	REGULATOR CUP	1,000
11	9642	DISK	1,000
12	9643	FRICITION WASHER	1,000
13	9650	NEEDLE BEARING	1,000
14	9644	PISTON STD	1,000
15	9646	PISTON SEGMT STD	1,000
16	9648	PISTON AXLE	1,000
17	9649	RING 18	1,000
19	9769	CRANKSHAFT CPLTE	1,000
31	9633	WASHER 0,3MM	1,000
32	9634	WASHER 0,5MM	1,000
141	9645	PISTON D1	1,000
151	9647	PISTON SEGMENT D1	1,000

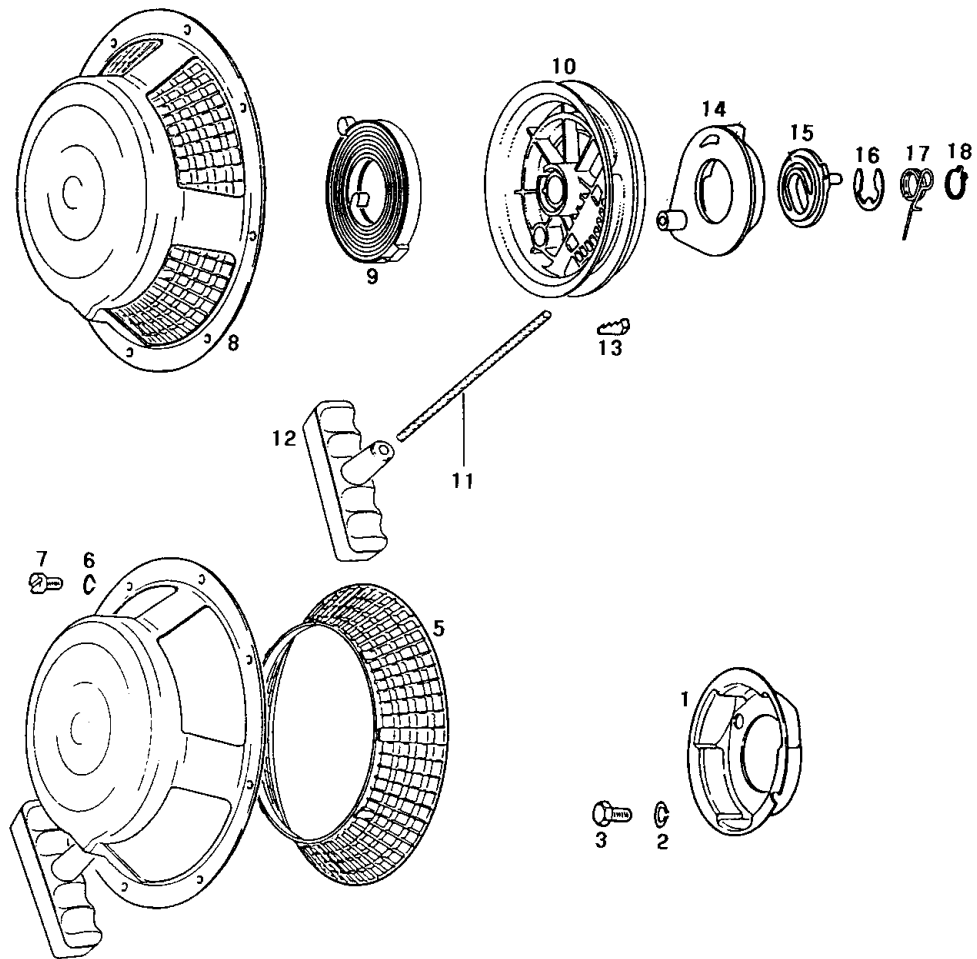


Number	Part Number	Name	Quantity
1	9690	CARBURETOR CPLT	1,000
3	9691	WASHER	1,000
4	9692	INSULATING RING	1,000
5	9693	CLAMP	1,000
6	9745	BOLT M6X35	1,000
7	9746	NUT M6	1,000
8	9694	VALVE NEEDLE	1,000
9	9747	CARBURETTOR FLOAT	1,000
10	9748	PIN	1,000
11	9695	MIX TUBE	1,000
12	9749	WASHER	1,000
13	9750	CARBURATOR VAT	1,000
14	9696	MAIN NOZZLE 115	1,000
15	9697	AIR SET SCREW	1,000
16	9698	SPRING	1,000
17	9699	SLOW SPEED JET	1,000
18	9700	SEAL	1,000
21	9751	BOLT	1,000
22	9752	GASKET	1,000
23	9753	CONNEXION	1,000
24	9703	STARTER AXLE	1,000
25	9704	STARTER VALVE	1,000
26	9705	SCREW M3X5	1,000
27	9706	SPRING WASHER	1,000
28	9707	REGULATOR LEVER	1,000
29	9708	WASHER	1,000
30	9709	SHEATH	1,000
31	9754	BOLT M3,5 X 5	1,000
32	9755	PLATTE	1,000
33	9710	REGULATOR AXLE	1,000
34	9711	REGULATING FLAP	1,000
35	9712	SCREW	1,000
36	9713	PUMP	1,000
37	9714	PUMP SPRING	1,000
38	9715	PIN 0,8X5	1,000
111	9760	MIXING TUBE	1,000
112	9764	SPRAY NOZZLE HOLDER	1,000
131	9761	FLOATTER CELL	1,000
141	4852	MAIN SPRAY NOZ.100	1,000
142	9717	PRESSION SPRING	1,000
143	4825	JET 105	1,000



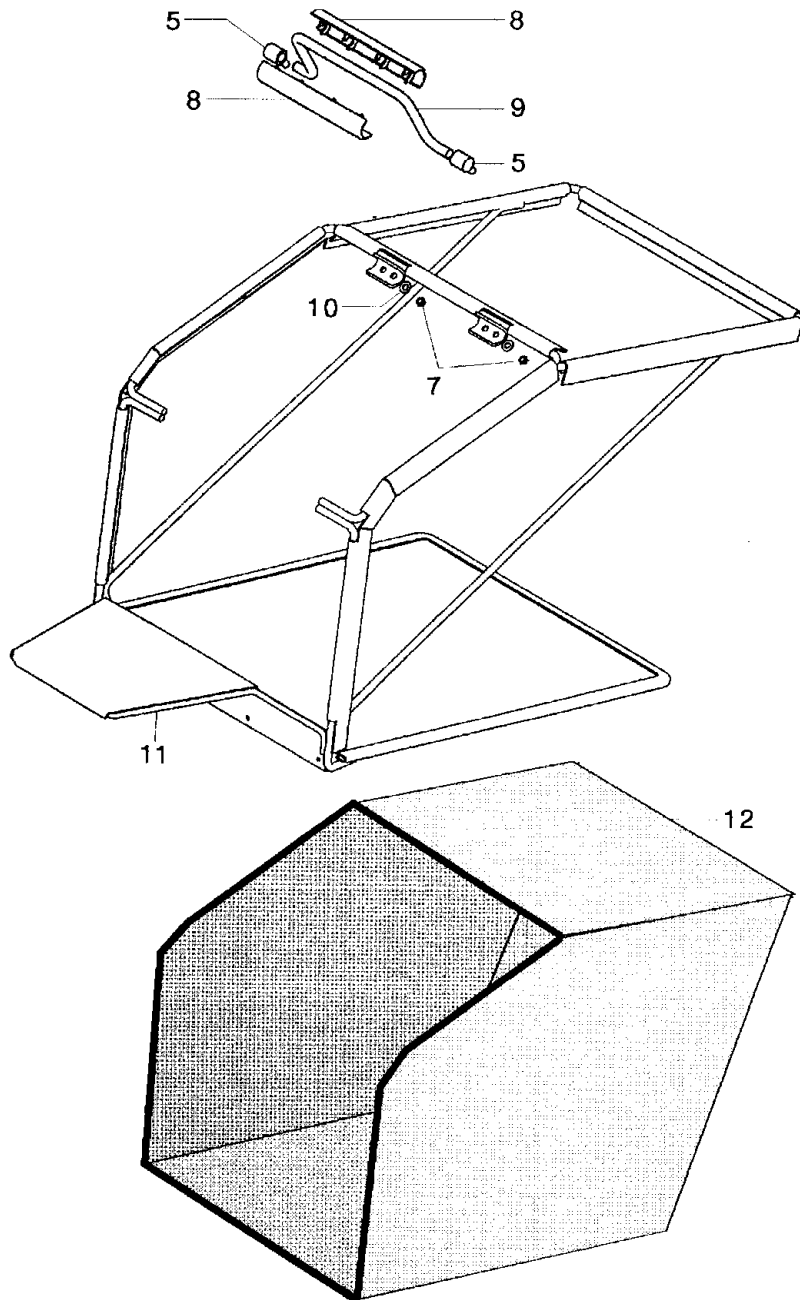
Number	Part Number	Name	Quantity
1	9665	COIL+CABLE	1,000
2	9666	SPARK CABLE	1,000
3	9667	SCREW	1,000
4	9668	RING	1,000
5	9669	CABLE BUSHING	1,000
7	9743	CABLE PROTECTION	1,000
8	9670	SLEEVE	1,000
9	9671	SPARK PLUG CAP	1,000
10	3041	SPARK PLUG	1,000
12	9676	FLYWHEEL	1,000
13	9677	VENTILATION CASING	1,000
14	71049	SPRING WASHER,DIN 1	1,000
15	9741	BOLT M6X12	1,000
17	9742	WASHER	1,000
18	9756	BOLT M8X16	1,000
19	71413	SCREW HM 8-20	1,000
20	40387	TANK SUPPORT SET	1,000
21	7335	WASHER	1,000
22	9680	BOLT M8X20	1,000
23	2020	NUT HM8	1,000
24	9681	TANK	1,000
25	9682	TANK CAP	1,000
26	9684	VALVE	1,000
27	9664	SEAL	1,000
28	9686	STRAINER	1,000
29	9685	RING	1,000
30	9688	PIPE 210MM	1,000
31	9687	SQUEERING RING	1,000
32	9744	SHORT CIRCUIT	1,000
33	9770	ALTERNATOR	1,000
34	9771	FLYWHEEL MAGNETO	1,000
35	9602	SPRING WASHER	1,000
36	20693	HEX.SCREW HM6X25	1,000
37	9767	PLATE	1,000
38	9768	SCREW M5X8	1,000
40	2009	BOLT M5X16	1,000
41	9766	COIL TRANSIST.BRACK	1,000
42	9773	IGNITION COIL	1,000
43	20507	BOLT HM 6X20	1,000
44	1557	NUT HM6	1,000
45	9774	COLLAR 8/M6	1,000

Number	Part Number	Name	Quantity
46	9775	GROUND CABLE	1,000
47	71084	BOLT HM6X16 DIN 933	1,000
48	9772	COOLING FAN	1,000
49	40139	RECTIFIER	1,000
50	71183	SCREW M5X20	1,000
51	37561	NUT	1,000
61	71118	SCREW 8X35	1,000
62	40044	DECK CROSS BEAM	1,000
65	40255	HINGE	1,000
66	9071	SCREW M8X20	1,000
68	71205	SCREW M8	1,000
69	5347	SCREW 8X25	1,000
70	40182	BRACKET	1,000



Number	Part Number	Name	Quantity
1	9721	STARTER PULLEY	1,000
2	9742	WASHER	1,000
3	9756	BOLT M8X16	1,000
5	9720	GRID	1,000
6	71049	SPRING WASHER,DIN 1	1,000
7	9741	BOLT M6X12	1,000
8	9722	STARTER CASING	1,000
9	9723	SPRING	1,000
10	9724	ROPE PULLEY	1,000
11	4792	ROPE 5MM X 1,75 M.	1,000
12	9727	STATER HANDLE	1,000
13	9725	KEY	1,000
14	9728	DRIVER	1,000
15	9729	BRAKE	1,000
16	9730	CIRCLIP	1,000
17	9731	BRAKE SPRING	1,000
18	9732	CIRCLIP	1,000

162.01
PANIER
FANGKORB
GRASSBOX



Number	Part Number	Name	Quantity
5	5104	HINGE	1,000
7	71201	NUT M6	1,000
8	24991	-> 2X 24903	1,000
9	40195	NM GRASBAG HANDLE	1,000
10	2235	WASHER A6.4	1,000
11	40391	GRASBAG FRAME NM	1,000
12	40190	GRASBAG NM	1,000